

PP механични фитинги за бърза връзка на PE100-тръби,  
с размери и характеристики съгласно стандарти:EN712/713/715/911  
ISO3458/3459/3501/3503 ISO14236/ DIN 8076 UNI 9561

Compression fittings made from PP,  
for mechanical connection of PE 100 pipes, fulfilling the requirements of standards:  
ISO 14236, EN 712/713/715/911/ISO 3458/3459/3501/3503/DIN 8076/UNI 9561.



Работно налягане при 20°C температура на водата

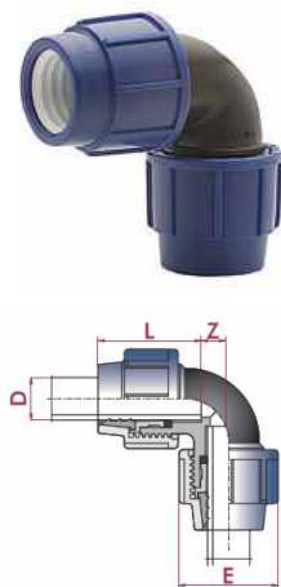
D16 - D63 : PN 16

D75 - D110 : PN 10

Фитинги на резба : PN10

## КОЛЯНО 90°

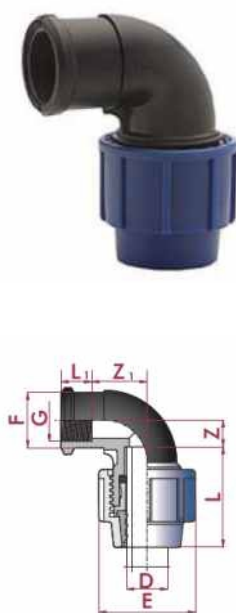
### ELBOW 90°



D	DN	PN	L	Z	E
16 x 16	10	16	49	13	47
20 x 20	15	16	49	13	47
25 x 25	20	16	58	16	56
32 x 32	25	16	81	18	65
40 x 40	32	16	92	24	81
50 x 50	40	16	108	28	92
63 x 63	50	16	125	32	114
75 x 75	65	10	140	37	128
90 x 90	80	10	156	53	152
110 x 110	100	10	176	63	182

## КОЛЯНО 90° С ВЪТРЕШНА РЕЗБА

### ELBOW 90° female thread



DxGxD	DN	PN	L	L1	Z	Z1	E	F
16 x Q"	10 x 10	10	49	15	13	22	47	27
16 x 1/2"	10 x 15	10	49	16	13	22	47	27
20 x 1/2"	15 x 15	10	49	16	13	26	47	27
20 x 3/4"	15 x 20	10	49	19	13	26	47	34
25 x 1/2"	20 x 15	10	58	19	16	31	56	34
25 x 3/4"	20 x 20	10	58	19	16	31	56	34
32 x 1/2"	25 x 15	10	81	16	18	43	65	27
32 x 3/4"	25 x 20	10	81	19	18	43	65	34
32 x 1"	25 x 25	10	81	22	18	43	65	41
40 x 3/4"	32 x 20	10	92	19	24	48	81	34
40 x 1"	32 x 25	10	92	24	24	46	81	41
40 x 1 1/4"	32 x 32	10	92	24	24	54	81	52
40 x 1 1/2"	32 x 40	10	92	24	24	54	81	61
50 x 1 1/4"	40 x 32	10	108	24	28	58	92	52
50 x 1 1/2"	40 x 40	10	108	24	28	58	92	61
50 x 2"	40 x 50	10	108	28	28	58	92	76
63 x 1 1/4"	50 x 32	10	125	24	32	70	114	52
63 x 1 1/2"	50 x 40	10	125	28	32	68	114	58
63 x 2"	50 x 50	10	125	28	32	67	114	76
75 x 2"	65 x 50	10	140	28	41	83	128	76
75 x 2 1/2"	65 x 65	10	140	33	41	83	128	88
90 x 3"	80 x 80	10	156	35	53	55	152	109
90 x 4"	100 x 100	10	156	36	53	89	152	132
110 x 4"	110 x 110	10	176	38	63	63	182	135

## ПРЕХОД С ФЛАНЕЦ

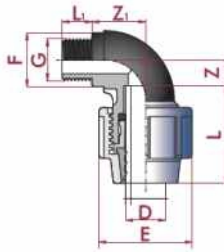
### FLANGED ADAPTOR



DxG	PN
50 x 1 1/2"	16
50 x 2"	16
63 x 2"	16
63 x 2 1/2"	16
75 x 2 1/2"	16
75 x 3"	16
90 x 3"	16
90 x 4"	16
110 x 4"	16

## КОЛЯНО 90° С ВЪНШНА РЕЗБА

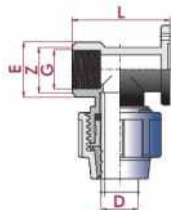
### ELBOW 90° male thread



DxG	DN	PN	L	L1	Z	Z1	E	F
16 x Q"	10 x 10	10	49	13	13	27	47	27
16 x 1/2"	10 x 15	10	49	13	13	27	47	27
20 x 1/2"	15 x 15	10	49	14	13	26	47	27
20 x 3/4"	15 x 20	10	49	16	13	26	47	30
25 x 1/2"	20 x 15	10	58	14	16	34	56	27
25 x 3/4"	20 x 20	10	58	16	16	34	56	30
32 x 1/2"	25 x 15	10	81	14	18	34	65	27
32 x 3/4"	25 x 20	10	81	16	18	34	65	30
32 x 1"	25 x 25	10	81	19	18	45	65	36
40 x 1 1/4"	32 x 32	10	92	21	24	59	81	48
40 x 1 1/2"	32 x 40	10	92	21	24	59	81	52
50 x 1 1/4"	40 x 32	10	108	21	28	68	92	48
50 x 1 1/2"	40 x 40	10	108	21	28	68	92	52
50 x 2"	40 x 50	10	108	26	28	68	92	66
63 x 1 1/4"	50 x 32	10	125	24	32	71	114	48
63 x 1 1/2"	50 x 40	10	125	24	32	71	114	52
63 x 2"	50 x 50	10	125	26	32	78	114	66
75 x 2 1/2"	65 x 65	10	140	30	41	83	128	82
90 x 3"	80 x 80	10	156	35	53	77	152	113
90 x 4"	100 x 100	10	156	39	53	77	152	113
110 x 4"	110 x 110	10	176	40	63	90	182	135

## КОЛЯНО 90° стенно с вътрешна резба

### ELBOW 90° female thread-wall(standard or reinforced)



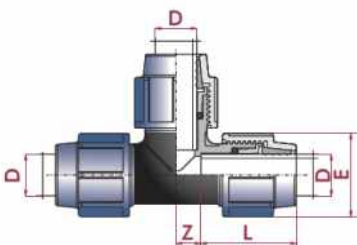
DxG	DN	PN	L	Z	E
-----	----	----	---	---	---

25 x 3/4" 56 10 65 32 36

(стандартно или усилено с неръждаема стомана)

## ТРОЙНИК 90° равностранен

### TEE 90° equal

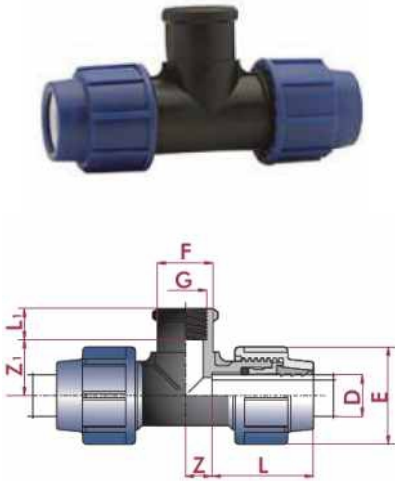


DxG	DN	PN	L	Z	E
-----	----	----	---	---	---

16 x 16 x 16	10	16	49	13	47
20 x 20 x 20	15	16	49	13	47
25 x 25 x 25	20	16	58	16	56
32 x 32 x 32	25	16	81	18	65
40 x 40 x 40	32	16	92	24	81
50 x 50 x 50	40	16	108	28	92
63 x 63 x 63	50	16	125	32	114
75 x 75 x 75	65	10	140	41	128
90 x 90 x 90	80	10	156	53	152
110x110x110	100	10	176	63	182

## ТРОЙНИК 90° с вътрешна резба

### TEE 90° reducing female thread



DxGxD	DN	PN	L	L1	Z	Z1	E	F
16 x Q" x 16	10 x 10	10	49	15	13	22	47	27
16 x 1/2" x 16	10 x 15	10	49	16	13	22	47	27
20 x 1/2" x 20	15 x 15	10	49	16	13	26	47	27
20 x 3/4" x 20	15 x 20	10	49	19	13	26	47	34
25 x 1/2" x 25	20 x 15	10	58	16	16	31	56	27
25 x 3/4" x 25	20 x 20	10	58	19	19	31	56	34
25 x 1" x 25	25 x 20	10	58	24	19	34	56	47
32 x 1/2" x 32	25 x 15	10	81	16	18	43	65	27
32 x 3/4" x 32	25 x 20	10	81	19	18	43	65	34
32 x 1" x 32	25 x 25	10	81	22	18	43	65	41
40 x 1 1/4" x 40	32 x 32	10	92	24	24	54	81	52
50 x 1" x 50	40 x 25	10	108	24	28	50	92	42
50 x 1 1/2" x 50	40 x 40	10	108	24	28	58	92	61
50 x 2" x 50	40 x 50	10	140	28	28	58	92	76
63 x 1" x 63	50 x 25	10	125	24	32	62	114	42
63 x 1 1/2" x 63	50 x 40	10	125	28	32	67	114	58
63 x 2" x 63	50 x 50	10	125	28	32	67	114	76
75 x 2 1/2" x 75	65 x 65	10	140	33	41	83	128	88
90 x 3" x 90	80 x 80	10	156	35	53	55	152	109
110 x 3" x 110	100 x 100	10	176	36	63	69	182	114
110 x 4" x 110	110 x 110	10	176	40	63	61	182	114

## ТРОЙНИК 90° редукивен с външна резба

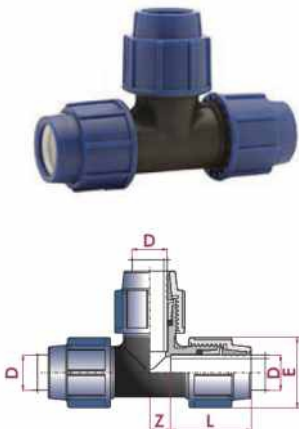
### TEE 90° reducing male thread



DxGxD	DN	PN	L	L1	Z	Z1	E	F
16 x Q" x 16	10 x 10	10	49	13	13	27	47	27
16 x 1/2" x 16	10 x 15	10	49	14	13	26	47	27
20 x 1/2" x 20	15 x 15	10	49	14	13	26	47	27
20 x 3/4" x 20	15 x 20	10	49	16	13	26	47	30
25 x 1/2" x 25	20 x 15	10	58	14	16	34	56	27
25 x 3/4" x 25	20 x 20	10	58	16	16	34	56	30
32 x 1/2" x 32	25 x 15	10	81	14	18	45	65	27
32 x 1" x 32	25 x 25	10	81	19	18	45	65	36
40 x 1 1/4" x 40	32 x 32	10	92	21	24	59	81	48
40 x 1 1/2" x 40	32 x 40	10	92	21	24	59	81	52
50 x 1 1/2" x 50	40 x 40	10	108	21	28	68	92	52
63 x 2" x 63	50 x 50	10	125	26	32	78	114	66
75 x 2 1/2" x 75	65 x 65	10	140	30	41	83	128	82
90 x 3" x 90	80 x 80	10	156	35	53	77	152	117
90 x 4" x 90	80 x 110	10	156	39	53	77	152	117
110 x 4" x 110	110 x 110	10	176	40	63	90	182	142

## ТРОЙНИК 90° редукивен

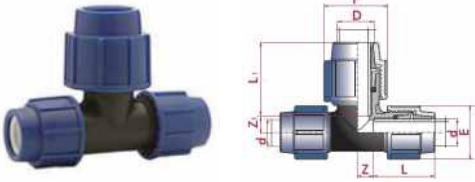
### TEE 90° reducing



DxdxD	DN	PN	L	L1	Z	Z1	E	F
20 x 16 x 20	10	16	49	49	13	13	47	47
25 x 20 x 25	15	16	58	49	16	13	56	47
32 x 25 x 32	20	16	81	58	18	16	65	56
40 x 32 x 40	25	16	92	81	24	18	81	65
50 x 32 x 50	25	16	108	86	28	28	92	65
50 x 40 x 50	32	16	108	92	28	24	92	81
63 x 50 x 63	40	16	125	108	32	28	114	92
75 x 63 x 75	50	10	140	125	41	32	128	114
90 x 75 x 90	65	10	156	131	53	58	152	128
110 x 90 x 110	80	10	176	156	63	68	182	152

## ТРОЙНИК 90° увеличителен

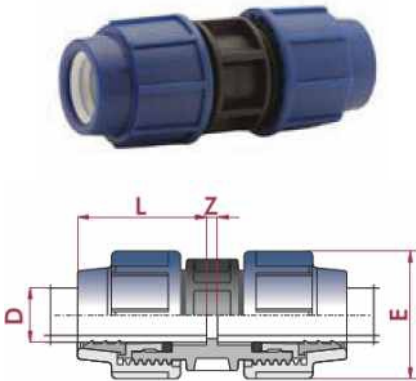
### TEE 90° enlarging



dxDxd	DN	PN	L	L1	Z	Z1	E	F
20 x 25 x 20	15 x 20	16	49	58	16	13	47	56

## СЪЕДИНИТЕЛ

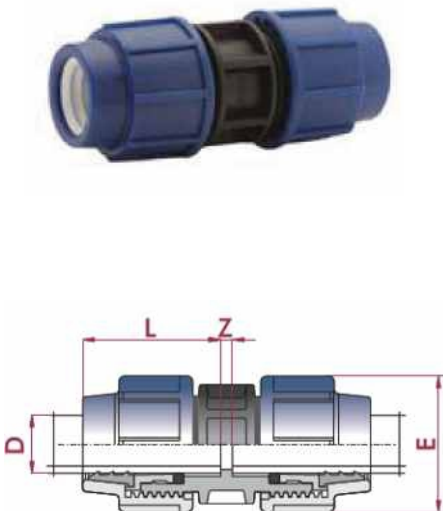
### COUPLING



D	DN	PN	L	Z	E
16 x 16	10	16	49	4	47
20 x 20	15	16	49	4	47
25 x 25	20	16	58	4	56
32 x 32	25	16	81	4	65
40 x 40	32	16	92	5	81
50 x 50	40	16	108	8	92
63 x 63	50	16	125	8	114
75 x 75	65	10	140	10	128
90 x 90	80	10	148	10	152
110 x 110	100	10	167	12	182

## ПРЕХОД С ВЪТРЕШНА РЕЗБА

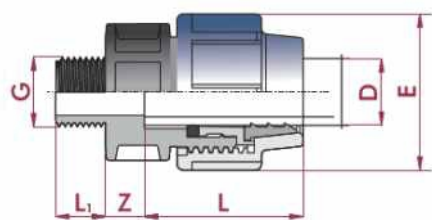
### ADAPTOR female thread



DxG	DN	PN	L	L1	Z	E	F
16 x Q"	10 x 10	10	49	15	11	47	27
16 x 1/2"	10 x 15	10	49	16	11	47	27
20 x 1/2"	15 x 15	10	49	16	11	47	27
20 x 3/4"	15 x 20	10	49	19	11	47	34
25 x 1/2"	20 x 15	10	58	16	12	56	27
25 x 3/4"	20 x 20	10	58	19	12	56	34
25 x 1"	20 x 25	10	53	22	12	56	41
32 x 3/4"	25 x 20	10	81	19	15	65	34
32 x 1"	25 x 25	10	81	22	15	65	41
40 x 1"	32 x 25	10	92	22	17	81	41
40 x 1 1/4"	32 x 32	10	92	24	17	81	52
50 x 1 1/4"	40 x 32	10	108	24	17	92	52
50 x 1 1/2"	40 x 40	10	108	24	17	92	61
50 x 2"	40 x 50	10	108	28	17	92	76
63 x 1 1/2"	50 x 40	10	125	28	19	114	61
63 x 2"	50 x 50	10	125	28	19	114	76
75 x 2"	65 x 50	10	140	28	39	128	76
75 x 2 1/2"	65 x 65	10	140	33	39	128	88
75 x 3"	65 x 80	10	140	33	39	128	113
90 x 2"	80 x 50	10	148	32	8	152	87
90 x 2 1/2"	80 x 65	10	148	32	10	152	106
90 x 3"	80 x 80	10	148	34	8	152	113
90 x 4"	80 x 100	10	148	38	29	152	135
110 x 2"	100 x 50	10	167	32	14	182	87
110 x 3"	100 x 80	10	167	34	12	182	119
110 x 4"	100 x 100	10	167	38	8	182	144

## ПРЕХОД С ВЪНШНА РЕЗБА

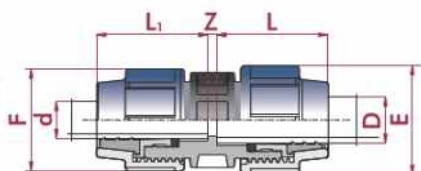
### ADAPTOR male thread



DxG	DN	PN	L	L1	Z	E
16 x Q"	10 x 10	10	49	13	14	47
16 x 1/2"	10 x 15	10	49	14	14	47
16 x 3/4"	10 x 20	10	49	16	14	47
20 x 1/2"	15 x 15	10	49	14	14	47
20 x 3/4"	15 x 20	10	49	16	14	47
20 x 1"	15 x 25	10	49	19	14	47
25 x 1/2"	20 x 15	10	58	14	15	56
25 x 3/4"	20 x 20	10	58	16	15	56
25 x 1"	20 x 25	10	58	19	15	56
32 x 3/4"	25 x 20	10	81	16	16	65
32 x 1"	25 x 25	10	81	19	16	65
32 x 1 1/4"	25 x 32	10	81	21	16	65
40 x 1"	32 x 25	10	92	21	22	81
40 x 1 1/4"	32 x 32	10	92	21	22	81
40 x 1 1/2"	32 x 40	10	92	21	22	81
50 x 1"	40 x 25	10	92	21	22	92
50 x 1 1/4"	40 x 32	10	108	21	23	92
50 x 1 1/2"	40 x 40	10	108	21	23	92
50 x 2"	40 x 50	10	108	26	23	92
63 x 1 1/2"	50 x 40	10	125	21	25	114
63 x 2"	50 x 50	10	125	26	25	114
75 x 2"	65 x 50	10	140	26	39	128
75 x 2 1/2"	65 x 65	10	140	30	39	128
75 x 3"	65 x 80	10	140	33	39	128
90 x 2"	80 x 50	10	148	30	30,5	152
90 x 2 1/2"	80 x 65	10	148	32	30	152
90 x 3"	80 x 80	10	148	34	30	152
90 x 4"	80 x 100	10	148	39	29	152
110 x 2"	100 x 50	10	167	30	31	182
110 x 3"	100 x 80	10	167	35	31	182
110 x 4"	100 x 100	10	167	38	31	182

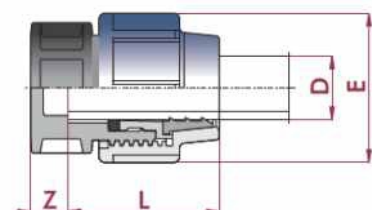
## НАМАЛИТЕЛ

### REDUCING COUPLING



Dxd	DN	PN	L	L1	Z	E	F
20 x 16	10	16	49	49	4	47	47
25 x 20	15	16	58	49	4	56	47
32 x 20	15	16	81	49	5	65	47
32 x 25	20	16	81	58	4	65	56
40 x 25	20	16	92	58	12	81	56
40 x 32	25	16	92	81	4	81	65
50 x 32	25	16	108	81	5	92	65
50 x 40	32	16	108	92	5	92	81
63 x 50	40	16	125	108	8	114	92
75 x 63	50	10	140	125	15	128	114
90 x 63	65	10	148	116	6	152	114
90 x 75	80	10	148	141	6	152	128
110 x 90	100	10	167	148	15	182	152

## ТАПА



## САР

D	DN	PN	L	Z	E
20	15	16	49	14	47
25	20	16	58	15	56
32	25	16	81	16	65
40	32	16	92	22	81
50	40	16	108	23	92
63	50	16	125	25	114
75	65	10	140	40	128
90	80	10	148	28	152
110	100	10	167	31	182

## УНИВЕРСАЛЕН ФИТИНГ

### Universal fitting



UxD	PN	L	E	F
15-21 x 20	10	119	47	55
15-21 x 25	10	128	56	55
15-21 x 32	10	151	65	55
21-27 x 25	10	136	56	65
21-27 x 32	10	159	65	65
21-27 x 40	10	170	81	65
27-35 x 32	10	174	65	80
27-35 x 40	10	186	81	80
27-35 x 50	10	202	92	80

## УНИВЕРСАЛЕН ФИТИНГ

### Universal fitting



UxU	PN	L	F
15-21 x 15-21	10	140	55
21-27 x 21-27	10	152	65
27-35 x 27-35	10	183	80

## СФЕРИЧЕН КРАН

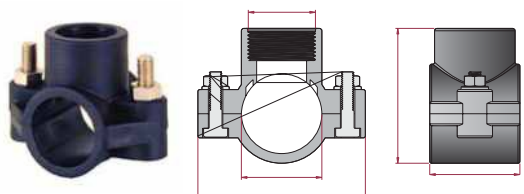
### Ball valve



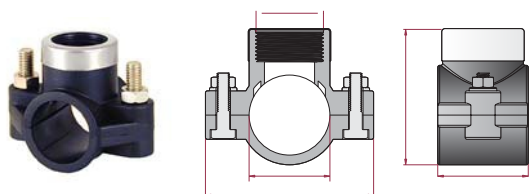
DxG	PN
20 x 1/2"	6
25 x 3/4"	6
32 x 1"	6
40 x 1 1/4"	6
50 x 1 1/2"	6
63 x 2"	6
75 x 2 1/2"	6

## ВОДОВЗЕМНА СКОБА: стандартна или усилена

стандартна



усилена



**DxG PN N L H Bolts qty.**

25 x 1/2"	10	67	24	52	2
25 x 3/4"	10	67	24	52	2
32 x 1/2"	10	79	31	61	2
32 x 3/4"	10	79	31	61	2
32 x 1"	10	79	31	67	2
40 x 1/2"	10	85	50	74	2
40 x 3/4"	10	85	50	74	2
40 x 1"	10	85	50	74	2
50 x 1/2"	10	103	52	84	2
50 x 3/4"	10	103	52	84	2
50 x 1"	10	103	52	84	2
50 x 1 1/4"	10	103	52	84	2
63 x 1/2"	10	101	70	103	4
63 x 3/4"	10	101	70	103	4
63 x 1"	10	101	70	103	4
63 x 1 1/4"	10	101	70	103	4
63 x 1 1/2"	10	101	70	103	4
75 x 1/2"	6	114	75	113	4
75 x 3/4"	6	114	75	113	4
75 x 1"	6	114	75	113	4
75 x 1 1/4"	6	114	75	113	4
75 x 1 1/2"	6	114	75	113	4
90 x 1/2"	6	125	84,5	129	4
90 x 3/4"	6	125	84,5	129	4
90 x 1"	6	125	84,5	129	4
90 x 1 1/4"	6	125	84,5	129	4
90 x 1 1/2"	6	125	84,5	129	4
110 x 1"	6	150	99	151	4
110 x 1 1/2"	6	150	99	151	4
110 x 2"	6	150	99	151	4
125 x 1"	6	171	99,5	167	4
125 x 1 1/2"	6	171	99,5	167	4
125 x 2"	6	171	99,5	167	4
140 x 1"	6	180	137	188,5	6
140 x 1 1/2"	6	180	137	188,5	6
140 x 2"	6	180	137	188,5	6
140 x 3"	6	180	137	188,5	6
160 x 1"	6	208	137	213	6
160 x 1 1/2"	6	208	137	213	6
160 x 2"	6	208	137	213	6
160 x 3"	6	208	137	213	6
200 x 1 1/4"	6	270	195	247	6
200 x 1 1/2"	6	270	195	243	6
200 x 2"	6	270	195	246	6
200 x 3"	6	270	195	252	6
200 x 4"	6	270	195	255,5	6
225 x 1 1/4"	6	300	195	273	6
225 x 1 1/2"	6	300	195	274,5	6
225 x 2"	6	300	195	271	6
225 x 3"	6	300	195	279	6
225 x 4"	6	300	195	280	6
250 x 1 1/4"	6	330	244	295,5	6
250 x 1 1/2"	6	330	244	296	6
250 x 2"	6	330	244	296	6
250 x 3"	6	330	243	298	6
250 x 4"	6	330	243	298	6
315 x 1 1/4"	6	400	244	376	6
315 x 1 1/2"	6	400	244	376	6
315 x 2"	6	400	244	376	6
315 x 3"	6	400	244	380,5	6
315 x 4"	6	400	244	384,5	6