

The EuroSewer GO-IN quick joint system is used to connect (vertical) PVC, simple PE or Eurosewer pipes to the EuroSewer sewage or drainage main pipes.

RE-MARK: The shape of the parts listed below may be different from the drawing without affecting the performances

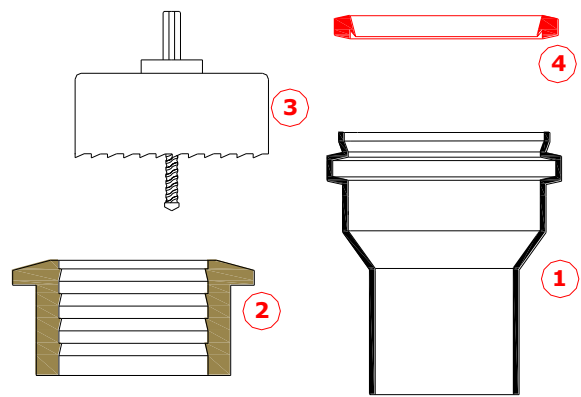
The joint system is composed of the following items:

PE special fitting (1)

Seal (2)

Milling cutter, sold separately (3)

Gasket for joint with PVC pipe. This is a standard gasket for PVC pipes UNI EN 1401. Sold separately (4)



IMPORTANT REMARK: the EuroSewer GO-IN joint is recommended for main service pipes whose ID is at least twice the OD of the connecting pipe, according to the following tab:

DN innesto / DN connecting pipe	ID collettore / Internal Diam. of main pipe	NOTE / Remarks
110	≥ 250	Suitable for PVC connections only Not provided with PE joint
125	≥ 300	
160	Standard: 350 ■ 500 extended: 500 ■ 200	La versione allungata comprende item 1 più lungo per compensare l'incremento della costola del collettore Extended version includes longer item 1 in order to compensate the increase of height in the main collector corrugation
200	Standard: 400 ■ 500 extended: 500 ■ 200	
250	≥ 500	Suitable for COR connections only

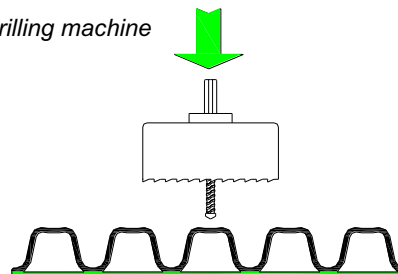
For information about internal diameters of EuroSewer pipes (DN/ID and DN/OD standards) please refer to relevant EuroSewer datasheet/manuals

As the cutting and drilling operations must be executed on the working site, please follow carefully the instructions below.

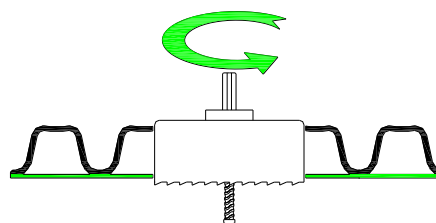
3 Installation

Connect the milling cutter (supplied separately) to a high-power drilling machine

While the drilling machine is turned off, position the point of the cutter in the center of the top of the corrugation

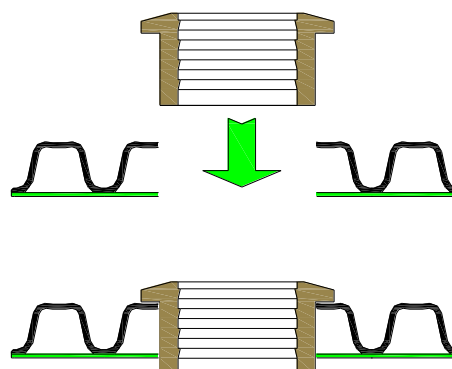


Turn on the drilling machine and perforate the main pipe perpendicularly to the axis. Proceed slowly until complete perforation.



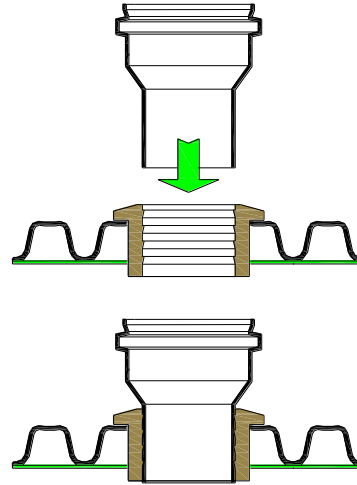
When the perforation is complete, remove the cut part and the shavings

Insert the seal into the hole and make sure that it leans perfectly against the corrugations. For a simpler installation of the seal, we recommend to deform it, insert it into the hole, and re-round it by adhering against the surface of the hole.



Lubricate the inner surface of the seal with the appropriate grease

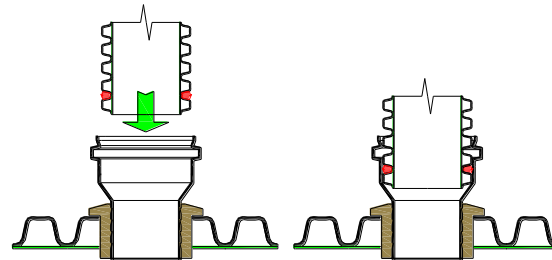
Lubricate the external surface of the special fitting and then fit it into the seal



Cut sharply both seal and special fitting in case they lean into the inner surface of the pipe

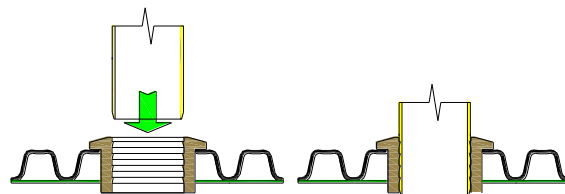
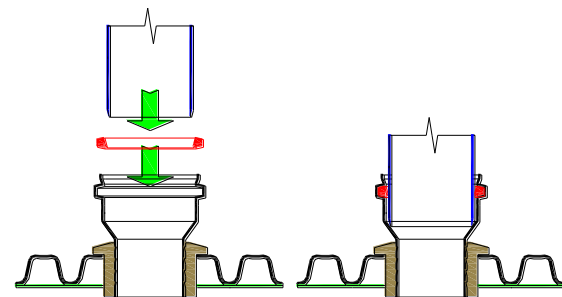
Insert the connecting pipe into the joint. The insertion type may be different according to the type of the connecting pipe (EuroSewer rather than PVC/smooth PE):

EuroSewer connecting pipe: connect the pipe to the fitting as for EuroSewer pipe-to-pipe connection (see EuroSewer technical Manual)



PVC and smooth PE branch pipes: insert the gasket for PVC pipes into the other end of the fitting, lubricate the lip of the gasket and proceed with the insertion of the pipe spigot.

REMARK: for GO-IN DN 110 and 125 mm the pipe shall be connected directly into the gasket without using the special fitting



For any further questions or other information please contact Picenum Plast's technical Office.



Drill the main pipe by using a drilling machine and milling cutter



Hole as it is after drilling operation



Position the seal in the hole



Position the seal in the hole



Cut the seal in case it leans into the pipe



Standard vs "extended" version of item 1



Lubricate internal part of seal



Lubricate the external part of the special fitting





Only for connections with PVC pipes: position the EN 1401 gasket into the fitting's lodgings



Positioning complete



Lubrication of gasket EN 1401 for connection to PVC pipes



Lubrication of pipe/fitting before connection



Connection complete



Example of connection